

CDH-N-4L Folding Towel Machine (1 embossing, 1000mm Jumbo roll, 1 paper shelf)

Description	Price (FOB XIAMEN)
CDH-230-N-4L (1 paper shelf)	



❖ Function and Feature:

- ❖ Steel to steel embossing, pneumatic embossing.
- ❖ It adapt to vacuum suction technology.
- ❖ Pneumatic pot slitting and convenience to pull through machine
- ❖ It has more correct and low noise timing belt driving.
- ❖ Optional programmable controller(PLC)

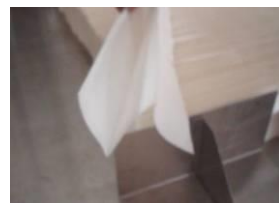
❖ Main Technical Parameter

- ❖ The width of jumbo roll: 1000 mm
- ❖ The diameter of jumbo roll: 1100mm
- ❖ Unfolding final production: 210×230mm
- ❖ Production speed: (60-100m)* /min
- ❖ Electric power: 15KW
- ❖ Machine size: 3000×1600×1900mm
- ❖ Weight: 3000kg

❖ Finish Production of Machine:



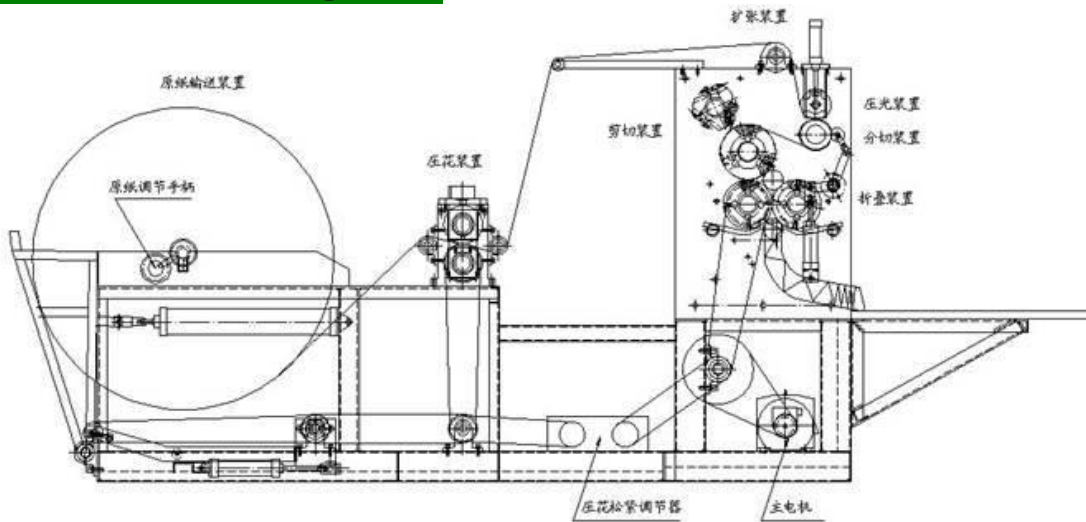
❖ Machine's details picture:



❖ The quality of machines:

- ❖ All transmission parts are processed by box irons, they are resist pressure and toughness.
- ❖ Adopt China name-brand CHINT electricity and bearing.

❖ **Machine flow diagram:**



230三排N折擦手纸机示意图

Unwinding the paper roll make it go through the embossing, then the paper absorb by the steel roller and folding the paper, and then cutting the paper, finally output the product.

❖ **Folding Way:**



❖ **Guarantee:**

One year. (The following problems are excluded from the warranty: due to accidents, misuse, misapplication, storage damage, negligence, or modification to the Equipment or its components. **ALSO THE EASY BROKEN SPARE PART IS NOT INCLUDED IN THE GUARANTEE**)

Installation: When the machine arrives at your factory, our technician will go to install and test the machine and also train your worker to operate the machine(The time of training depends on you worker). The expenses (for round-trip air ticket, food, hotel, the travelling fee on your country) should be on your account and the technician need to be paid USD75/person/day as salary .

After service: If you get the problem on our machine, our technician will go to your place to fix the machine as soon as possible. **The cost should be in your account.**

The background of our company:

Chuang Da --professional maker of wet and dry tissue machines. Our products include full-auto wet tissue making machine, wet tissue packing machine, and toilet roll making and packing machines, and

draw facial tissue machines, and napkin machines etc.

By ten years of its working experience, Chuang da has brought up a group of professional persons, with the super ability of designing and researching, the long-term cooperation and communion with the professional organizations in and out of tissue paper industry, and concentration on the products function, stability and automatic degree, eventually make us won reputation in China's Tissue Industry. And we also receive the favors from customers home and abroad by the high quality and competitive price.

Chuang Da Machinery wishes to cooperate with you and make progress together!

Contact me for any question.

31,000\$+6000\$

Первая цена за станок по производству полотенец, вторая за упаковщик полотенец.